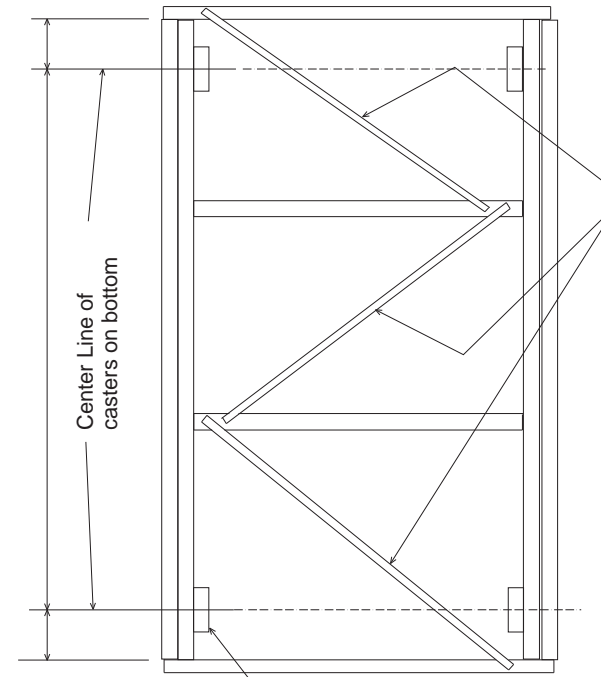
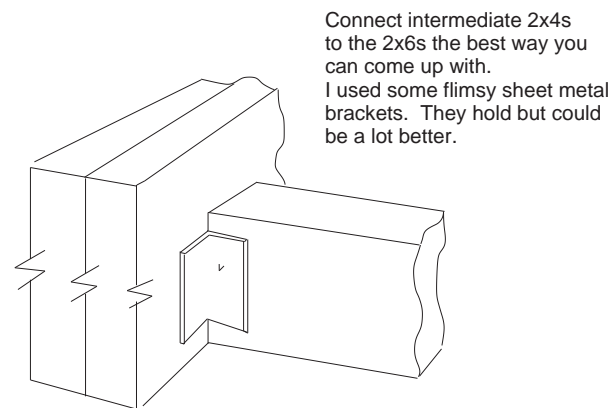


## General Arrangement

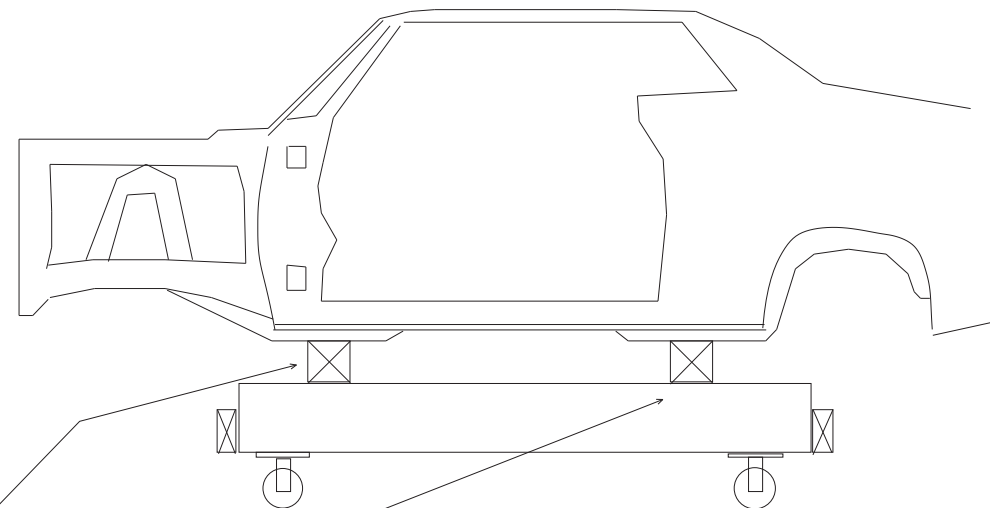


## Top View

Attachment of casters depends on casters.  
I had to add an extra piece of wood to make the surface wider.



## Detail "A"



Use 2 loose 4x4s cut a little wider than the dolly. Place them under the front and rear "frame rail" sections to support the car.

## How to use

### Reda's Dollyworld

Title: EICheapo UnibodyDolly  
Location: Under the unibody... duhhh  
Scale: Not paid on any....

Drawn by: Sandy | Chk'd by : HA!